



COMPRESSION LATCH STAINLESS STEEL 35 MM

Quarter-turn compression latch with an extended collar, making it suitable for thick panels. Closed and tightened with a single half-turn motion, where the first 90° turn moves the cam 90° and the following 90° turn retracts the cam 6 mm. The extended, threaded shaft allows you to place the cam along its entire length, resulting in vast adjustment possibilities. The cam is fixed with counter-nuts.

The latch is delivered assembled while the cam is ordered separately.



MATERIAL

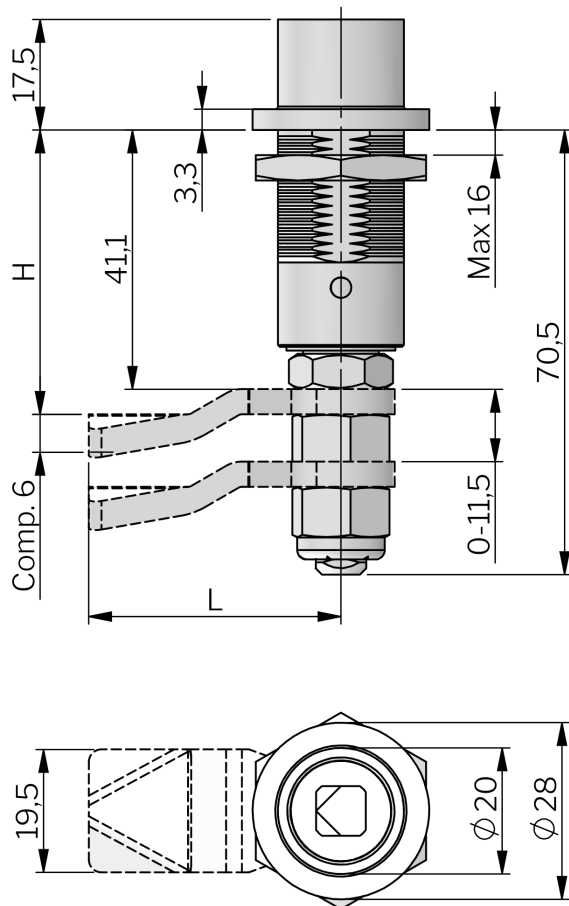
Counter-nuts: Stainless steel 303
Housing: Stainless steel 304
Insert: Stainless steel 303
Nut: Stainless steel 303

RELATED PRODUCTS

Handles and knobs: 2-360
Keys: 2-372, 2-370
Cams: 2-481
 Use the Index Code at industrilas.com

TECHNICAL INFORMATION

Standards: DIN EN 61373



Industrilas
 — When access counts —

Make your selections in each column to create your article number (AAAAAA-BB)

AAAAAA	Housing	BB	Insert
243096	Stainless steel 304	01	Hexagon 11
		07	Square 6
		08	Square 7
		09	Square 8 with arrow
		11	Square 8 / M6
		12	Triangle 7
		13	Triangle 8
		14	Triangle 10
		15	Triangle 10 / M6
		16	Double Bit 3
		17	Double Bit 5
		18	DB - Deutsche Bahn. On request.
		20	Slotted
		28	Triangle 10 / M5
		48	Recessed square 8
		79	Triangle 6,5

